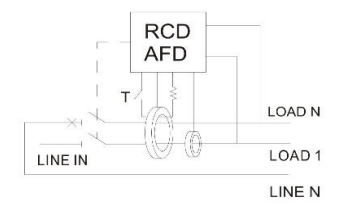
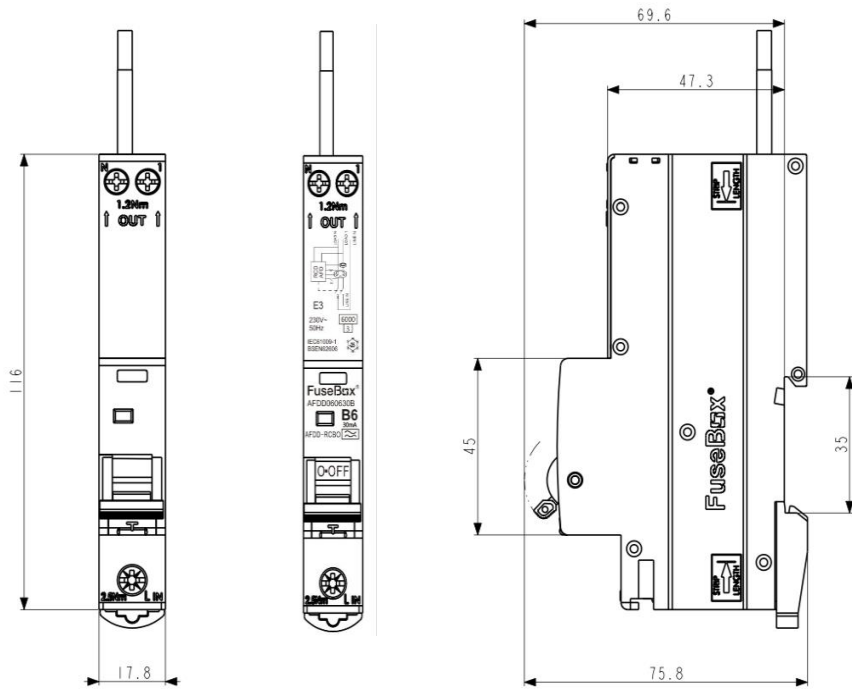


AFDD_RCBO (ARC FAULT DETECTION DEVICE)								
RATING (A)	6	10	16	20	25	32	40	
RATED RESIDUAL OPERATING CURRENT (I _{Δn})	30mA	30mA	30mA	30mA	30mA	30mA	30mA	
PART NUMBER	AFDD060630B	AFDD061030B	AFDD061630B	AFDD062030B	AFDD062530B	AFDD063230B	AFDD064030B	
GTIN-13	5060523524457	5060523524464	5060523524471	5060523524488	5060523524495	5060523524501	5060523524518	
STANDARD	IEC 61009-1, BS EN 62606							
NUMBER OF POLES	1P+N (Switched)							
RATED VOLTAGE (U _n /AC)	230V							
FREQUENCY (Hz)	50/60							
RATED BREAKING CAPACITY (I _{cn})	6000A (6kA)							
RATED CURRENT (I _n)	6, 10, 16, 20, 25, 32, 40							
TRIPPING CHARACTERISTICS	B CURVE : 3-5I _n							
RESIDUAL CURRENT CHARACTERISTICS	TYPE A (AC AND PULSATING DC UP TO 6mA)							
RATED RESIDUAL OPERATING CURRENT (I _{Δn})	0.03							
MECHANICAL ENDURANCE	10,000							
PROTECTION DEGREE (IP)	20							
MAXIMUM TERMINAL CAPACITY	1-16mm ² IN L / 1-10mm ² OUT N L							
RECOMMENDED TIGHTENING TORQUE (Nm)	2.5Nm IN L / 1.2Nm OUT N L							
FLYING NEUTRAL CABLE LENGTH (mm)	450 (can be cut to suit)							
OVERVOLTAGE PROTECTION	>285V							
MATERIAL	PA6 (Nylon 6)							
WEIGHT (1PC) Kg	0.185							
INNER CARTON QUANTITY	1							
OUTER CARTON QUANTITY	60							
ENERGY LIMITING CLASS	3							
MOUNTING	35mm Din rail mounting							
ORIGIN OF MANUFACTURE	CHINA							



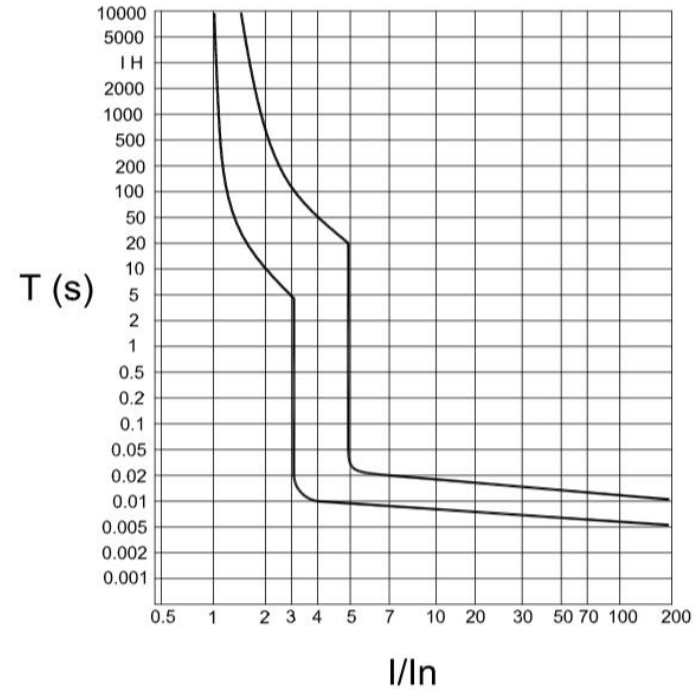
DIMENSIONS



TRIPPING CHARACTERISTICS

B curve 3-5In

Curve B



Combined AFDD/RCBO

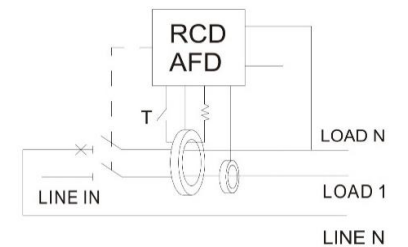
Combined AFDD RCBO (1P+N) with switched LINE and NEUTRAL.
 Used for the protection against ARC FAULTS (SERIES AND PARALLEL), overload, short circuit and earth leakage.
 Type A for AC and pulsating DC sensitivity.
 Short circuit capacity of 6kA with a maximum rating of 40A.
 Designed to fit all FuseBox consumer units.

TESTING: Line and Neutral conductors do not have to be disconnected for IR (insulation resistance) if the lever is in the **OFF** position.

NEUTRAL CABLE CSA

6A	2.5 mm ²
10A	2.5 mm ²
16A	2.5 mm ²
20A	2.5 mm ²
32A	4.0 mm ²
40A	4.0 mm ²

Connections



INSTRUCTIONS

- 1a AFDD/RCBO must be installed by a qualified electrician in accordance with the current IET Wiring Regulations BS 7671.
- 1b Total load must not exceed the rating of the AFDD/RCBO or any additional limitation.

2 Installation

- 2a combined AFDD/RCBO range designed to fit FuseBox consumer units and modular enclosures.
- 2b 35mm top hat din rail mounting.
- 2c Clip securely on to the din rail making sure the din rail clip at the bottom is pushed in, locking the AFDD/RCBO onto the din rail, ensure lever is in the OFF position.
- 2d Cut, dress and connect cables as shown in the **wiring diagram**.

Lin (Line) terminal connect to the bus bar.

Neutral flying lead to the neutral terminal bar (can be cut to size to suit).

Connect the load to the L OUT and N OUT terminals at the top of the AFDD/RCBO and the Load earth to the terminal bar.

3 Connections

- 3a **Before powering up the circuit check all connections are TORQUED.**

Loose connections cause fires!!!!

4 Testing

- 4a **CONNECTIONS TO THE AFDD/RCBO DO NOT REQUIRE TO BE DISCONNECTED IF THE LEVER IS IN THE "OFF" POSITION FOR IR TEST.**

- 4b On completion of the installation, it must be tested in accordance with the latest edition of the IET Wiring Regulations for Electrical Installations (BS 7671).

Operation of the TEST button on combined AFDD/RCBO

When newly fitted systems do not trip on the TEST button or using the MFT the problem is normally caused by an earth to neutral fault on the circuit (PME supply).

Installers can easily check the AFDD/RCBO by removing the LOAD connections on the device and applying power. If the TEST button works the fault is in the circuit.

RCBO TEST

Combined AFDD/RCBO ARE MANUFACTURED IN ACCORDANCE WITH IEC 61009-1 AND MUST BE TESTED TO THIS SPECIFICATION USING A CALIBRATED TEST METER.

0.5IΔn	RCBO will not trip
1Δn	RCBO must trip within 300ms
5IΔn	RCBO must trip within 40ms

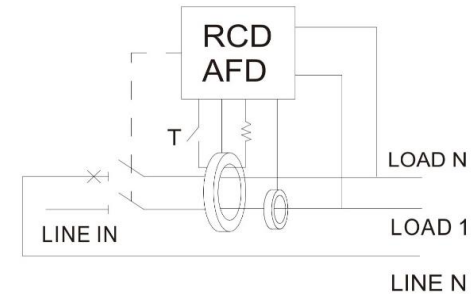
What to do if a combined AFDD/RCBO trips

- 1 Reset tripped AFDD/RCBO to **ON** position
- 2 Note LED indication - see table below
- 3 If AFDD/RCBO trips again then disconnect all appliances connected to this circuit.
- 4 Switch AFDD/RCBO to ON position and connect 1 appliance at a time to see which one trips the device.
- 5 Once faulty appliance has been identified DO NOT USE until it has been checked.
- 6 Switch AFDD/RCBO to ON position.
- 7 If fault does not clear phone a qualified electrician to check installation

LED Indication (table)

Green LED on	Device operable	●
Red flash x1	Serial or parallel arc detected	●○●○●○●○●○●○●○
Yellow flash x2	Overvoltage >285V	●●○●●○●●○●●○●●○●●○●●○
Yellow flash x3	Residual current detected	●●●○●●●○●●●○●●●○●●●○●●●○●●●○●●●○
Red LED on	Self test failed	●
NO LED	No supply voltage	

Connections



Environment

WASTE ELECTRICAL PRODUCTS SHOULD NOT BE DISPOSED OF IN HOUSEHOLD WASTE. CONTACT YOUR RETAILER OR LOCAL AUTHORITY FOR RECYCLING INFORMATION

