

VENTO EXPERT DUO A30-1 S10 W V.2



Heat recovery single-room units

Air flow up to 30 m³/h

Heat recovery efficiency up to 85 %



VENTO EXPERT DUO A30-1 S10 W V.2

HEAT RECOVERY SINGLE-ROOM UNITS

Features

- Arrangement of balanced energy saving, supply and exhaust, single-room ventilation in kitchen, bathroom and utility room.
- Reducing heat losses caused by ventilation due to heat recovery.
- Humidity balance and controllable air exchange create individually controlled microclimate.
- Wi-Fi data exchange between several single-room ventilation units for coordinated operation.
- Controlled by Android or iOS smartphone or tablet.



Air flow:
up to 30 m³/h
8 l/s



Heat recovery efficiency:
up to 85 %



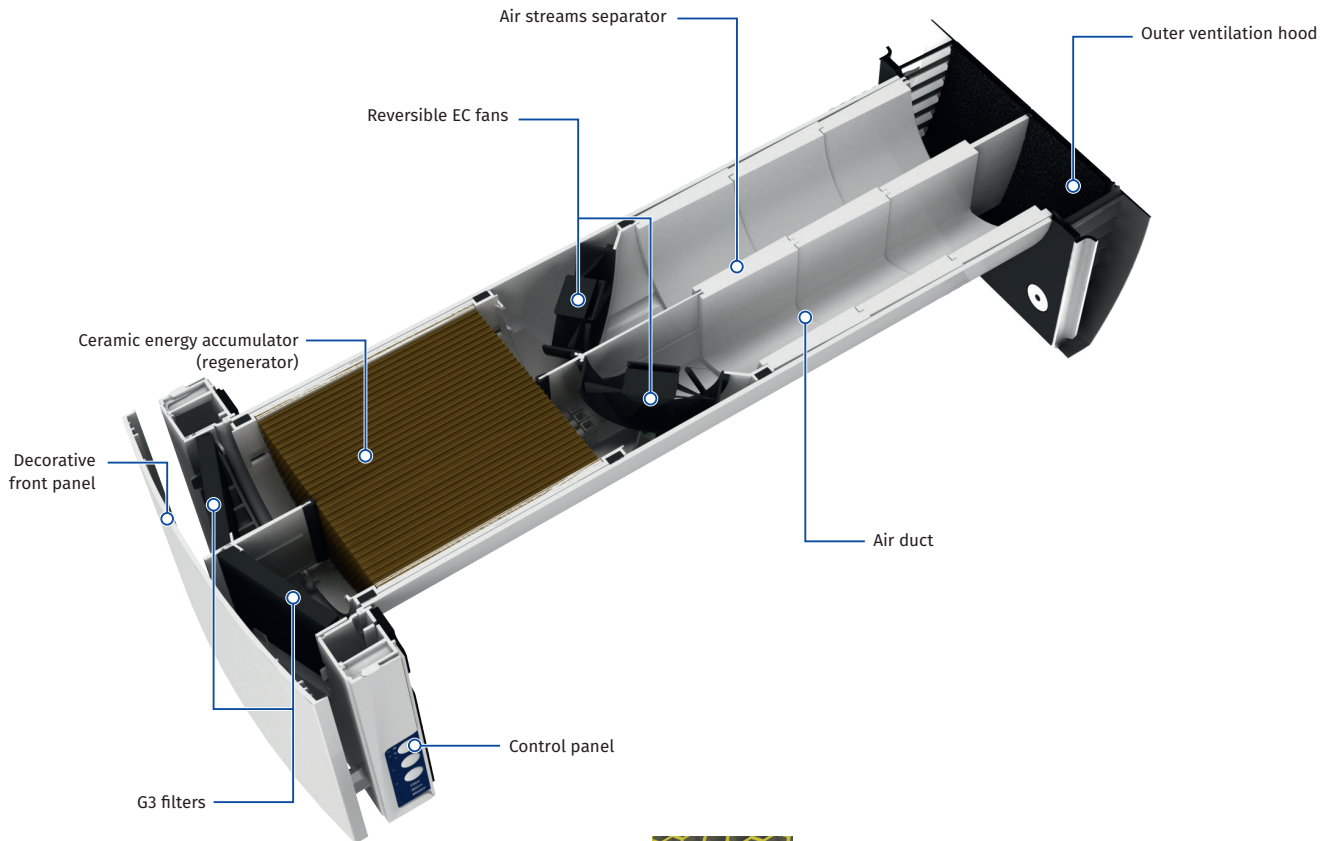
Power: from 2,17 W
SFP: from 0.66 W/l/s



Noise level:
from 24 dBA



Design



One of the best heat recovery on the market due to innovative hexagonal structure of the heat exchanger cells.



Built-in Wi-Fi for wireless communication between units and Android or iOS device control.

Designation key

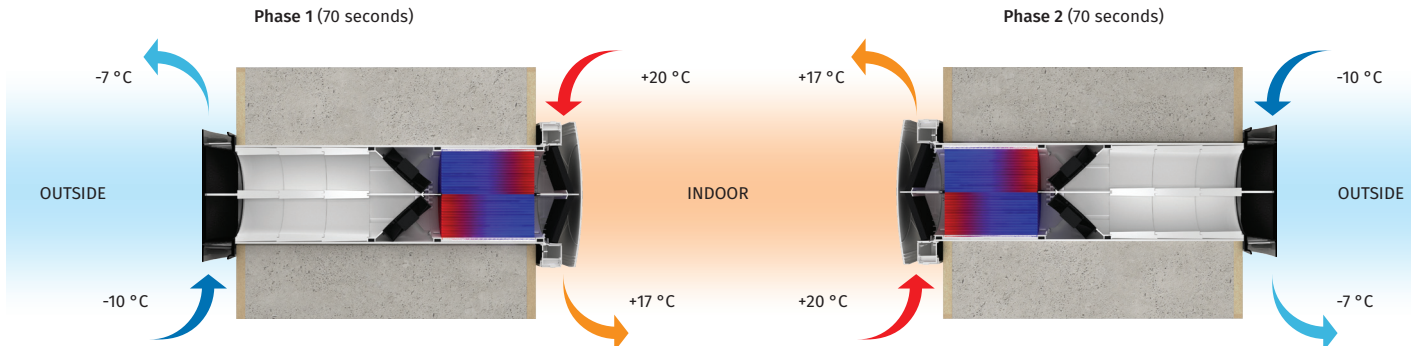
Model	Fans	Air duct	Maximum air flow [m ³ /h]	Unit modification	Ventilation hood type	Control
VENTO Expert	DUO: two fans	A: round air duct	30	-1	S10: Plastic outer ventilation hood with a plate with brushed stainless steel effect finish	W V.2: Control and setup of the unit with the Wi-Fi mobile application

VENTO EXPERT DUO A30-1 S10 W V.2

HEAT RECOVERY SINGLE-ROOM UNITS

Heat and moisture recovery

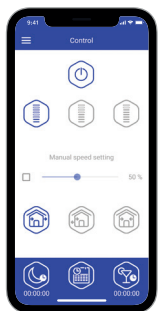
UNIT OPERATING LOGIC IN WINTER PERIOD



- One of the fans supplies fresh and cold air from outdoor, which flows through the correspondent part of the ceramic heat exchanger and absorbs accumulated heat and humidity.
- At the same time, the other fan extracts stale and warm air from indoor, that flows through the other part of the ceramic heat exchanger and transfers heat energy and moisture to it.
- After 70 seconds operation the fans change the rotation direction and opposite processes start.

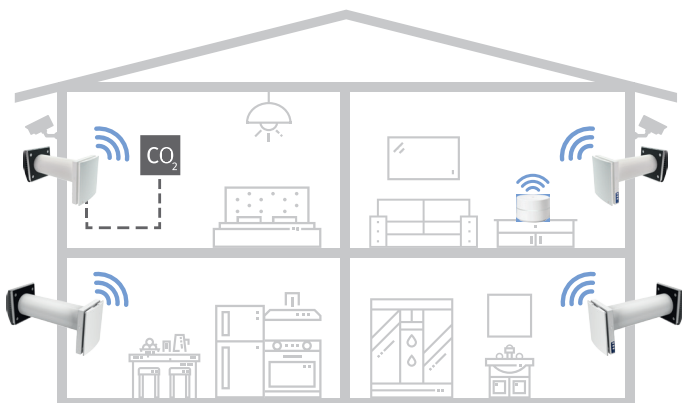
Control

- Unit control via smartphone or tablet application.
- The units can be connected by Wi-Fi for synchronized operation.
- House ventilation control via cloud service from anywhere in the world.



Blauberg Vento V.2 app for Android or iOS devices is available at Google Play and App Store.

- Connection to smart house or Building Management System (BMS) via Wi-Fi.



- VENTO Expert DUO A30-1 S10 W V.2 either can operate as independent unit or can be connected with other units in a house and controlled with a master unit. In this case, only the master unit receives a signal from the remote control.

FOR LIVING ROOMS AND BEDROOMS



FOR KITCHEN AND BATHROOM



- Control of the unit operation mode is also performed by means of the sensor control panel located on the unit casing or the remote control.



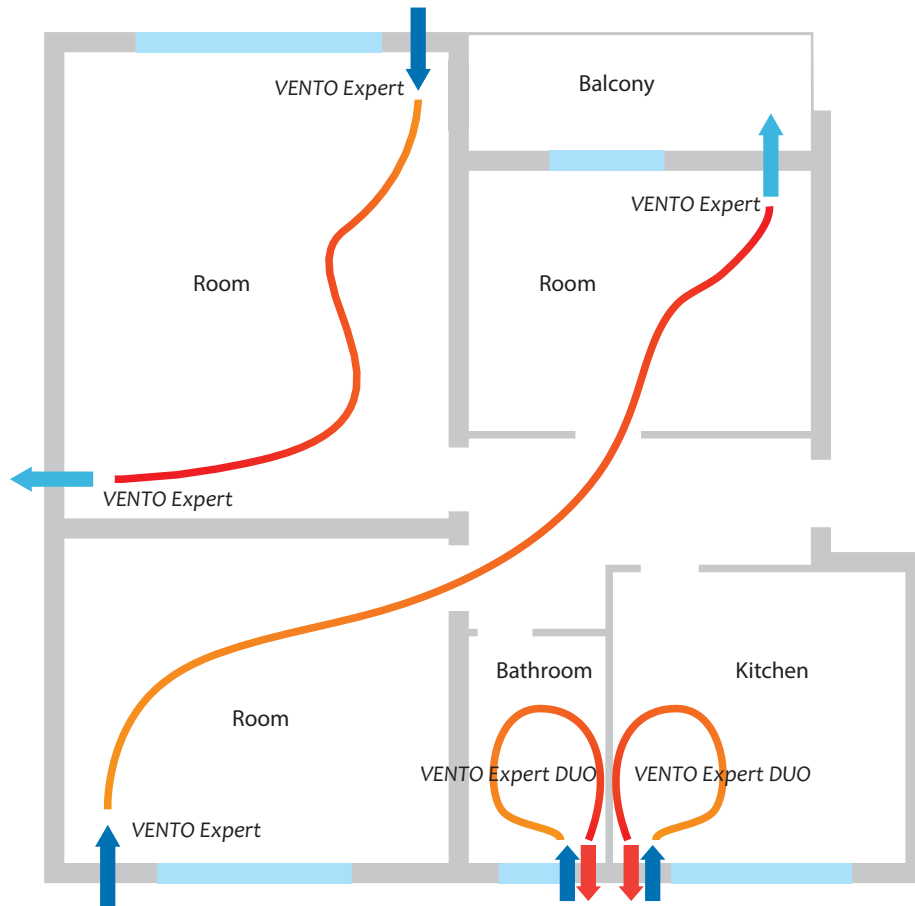
- VENTO Expert DUO A30-1 S10 W V.2 is equipped with a humidity sensor for indoor humidity control. If humidity increases above a set point, the unit boosts to the high speed independently on other units in the system.

VENTO EXPERT DUO A30-1 S10 W V.2

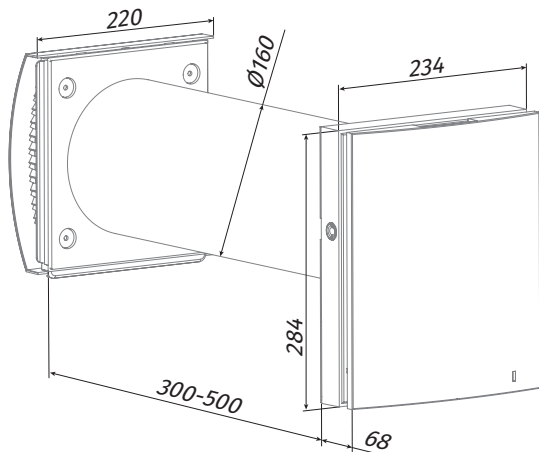
HEAT RECOVERY SINGLE-ROOM UNITS

Mounting

- **VENTO Expert** units should be installed in the living room and bedrooms while **VENTO Expert DUO** units should be installed in kitchen, bathrooms and utility room.
- The unit is designed for through-the-wall installation inside a prepared hole in an outer wall of the building.



Overall dimensions [mm]

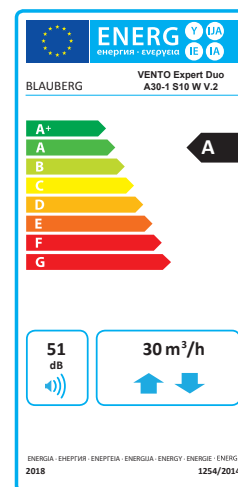


VENTO EXPERT DUO A30-1 S10 W V.2

HEAT RECOVERY SINGLE-ROOM UNITS

Technical data

Parameters	VENTO Expert DUO A30-1 S10 W V.2		
	I	II	III
Speed			
Voltage [V / 50 (60) Hz]		100-230	
Power [W]	2.17	3.66	6.62
Current [A]	0.026	0.039	0.066
RPM [min ⁻¹]	1600	2200	2500
Air flow [m ³ /h (l/s)]	10 (3)	20 (6)	30 (8)
Air flow in humidity extract mode [m ³ /h (l/s)]		60 (16)	
SFP [W/l/s]	0.78	0.66	0.79
Filter		G3	
Transported air temperature [°C]		-15...+50	
Sound pressure level at 1 m in accordance with ISO 3741:2004 [dBA]	33	40	43
Sound pressure level at 3 m in accordance with ISO 3741:2004 [dBA]	24	31	34
Outdoor sound pressure attenuation in accordance with DIN EN 20140 [dBA]		42	
Heat recovery efficiency in accordance with DIBt LÜ-A 20 [%]		up to 85	
Ingress protection rating		IP24	



Accessories

Name		Description
FB VENTO Expert A50		Remote control
FP VENTO Expert DUO A30 G3		G3 filter kit (2 pcs.)
AH-10 white 160 DUO		White plastic outer ventilation hood
AH-10 chrome 160 DUO		Plastic outer ventilation hood with a plate with brushed stainless steel effect finish
AH-5 white 160 DUO		Stainless steel ventilation hood, painted white
AH-5 chrome 160 DUO		Brushed stainless steel ventilation hood
PP 160/0.5		Outer ventilation hood for mounting from inside
R 160-500		500 mm air duct and polystyrene foam plug
R 160-700		700 mm air duct and polystyrene foam plug
LST Vento Expert DUO		Air stream separator
SE Vento Expert W		Sensor control panel
CD-1		CO ₂ sensor with LED CO ₂ indication and a sensor button for operation mode selection
CD-2		CO ₂ sensor
S Vento Expert A30		Cardboard template for indoor installation of the unit

VENTO EXPERT DUO A30-1 S10 W V.2

HEAT RECOVERY SINGLE-ROOM UNITS

VENTO EXPERT DUO A30-1 S10 W V.2

HEAT RECOVERY SINGLE-ROOM UNITS

Blauberg Ventilatoren GmbH
Aidenbachstr. 52
D-81379 Munich

info@blaubergventilatoren.de
www.blaubergventilatoren.de

Technical changes reserved.
Illustrations and texts are non-binding.

08/2018