






# Vento Midi-Air | Living, Dining, Habitable Rooms & Bedrooms



-  Living, Dining, Habitable Rooms & Bedrooms.
-  Airflow rate up to 15 l/s.
-  Up to 95% heat recovery.
-  Low energy: from 4.45w.
-  Low Noise Level.



## Technical Data

Parameters	Vento Midi-Air		
	I	II	III
Speed			
Voltage - (V) 50 (60) Hz	100-230		
Power - Watts (W)	4.45	5.08	6.99
Current - Amps (A)	0.035	0.040	0.059
Speed - RPM	800	1300	1900
<b>Intermittent Extractor Fan Mode - IEF</b>			
Maximum Airflow litres per second (l/s)	4	8	15
Minimum Specific Fan Power SFP - (w/l/s)	1.11	0.65	0.49
<b>Positive Input Ventilation Mode - PIV</b>			
Maximum Airflow litres per second (l/s)	4	8	15
Minimum Specific Fan Power SFP - (w/l/s)	1.11	0.65	0.49
<b>Decentralised Heat Recovery Ventilation Mode - dMVHR</b>			
Maximum Airflow litres per second (l/s)	2	4	7
Minimum Specific Fan Power SFP - (w/l/s)	2.23	1.27	0.99
<b>Decentralised Mechanical Extract Ventilation Mode - dMEV</b>			
Maximum Airflow litres per second (l/s)	4	8	14
Minimum Specific Fan Power SFP - (w/l/s)	1.11	0.65	0.49
Filter	G3 (F8 available as an optional extra)		
Transported air temperature - (°C)	-20 - +40		
Sound pressure level at 3 m - (dBA)	13	18	30
Heat recovery thermal efficiency - (%)	up to 95		
Ingress protection rating - (IP)	24		

ENERG  
енергия · ενεργεια

Y UA  
IE IA

BLAUBERG Vento Midi-Air

A+

A

B

C

D

E

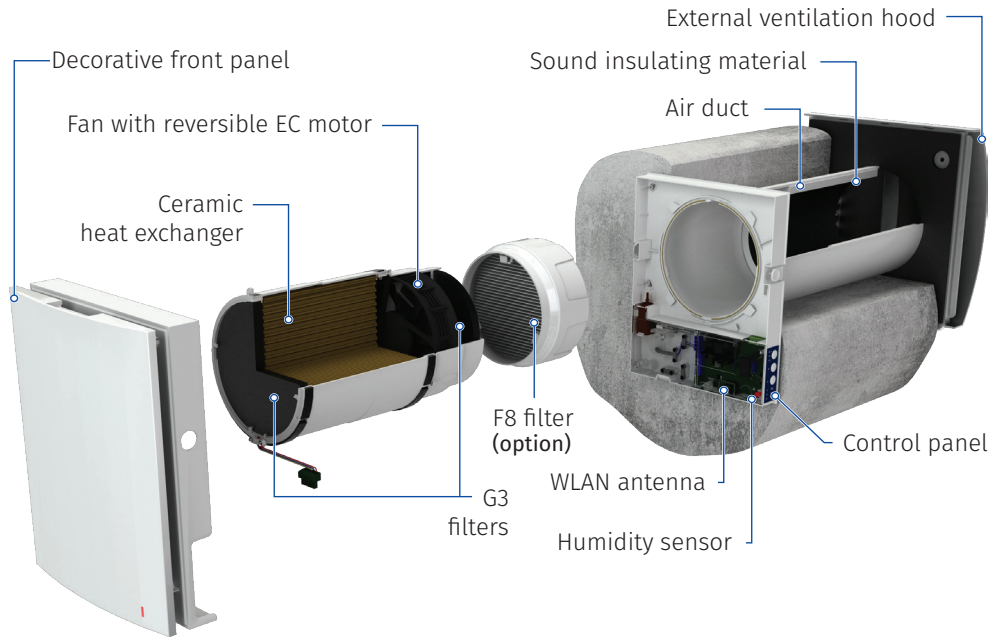
F

G

38 dB

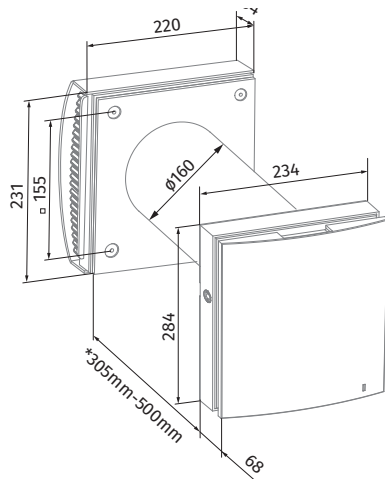
50 m<sup>3</sup>/h

ENERGIA · ΕΝΕΡΓΙΑ · ENERGIJA · ENERGIJA · ENERGY · ENERGIE · ENERGI  
2018 1254/2014

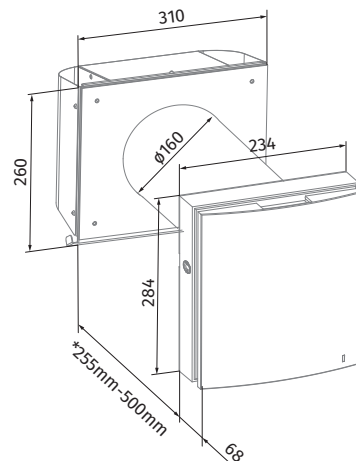


## Dimensions

### Vento Midi-Air



\*From 305mm without F7 Filter Cartridge housing



\*From 255mm without F7 Filter Cartridge housing using the slim wall mounting kit